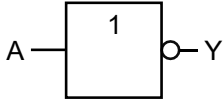
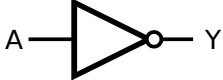
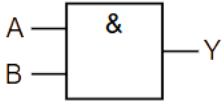

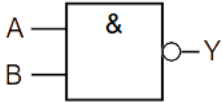

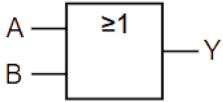

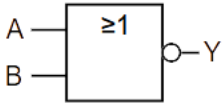
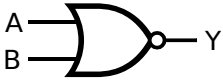
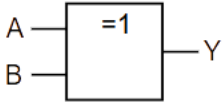

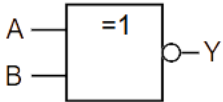



Informatikabitur – Logikgatter

Ergänzung zum Tafelwerk

Name	Bezeichnung	ICE-/DIN-Symbol	USA-Symbol	Wertetabelle															
NOT	NICHT			<table border="1"> <thead> <tr> <th>A</th> <th>Y</th> </tr> </thead> <tbody> <tr> <td>0</td> <td>1</td> </tr> <tr> <td>1</td> <td>0</td> </tr> </tbody> </table>	A	Y	0	1	1	0									
A	Y																		
0	1																		
1	0																		
AND	UND			<table border="1"> <thead> <tr> <th>A</th> <th>B</th> <th>Y</th> </tr> </thead> <tbody> <tr> <td>0</td> <td>0</td> <td>0</td> </tr> <tr> <td>0</td> <td>1</td> <td>0</td> </tr> <tr> <td>1</td> <td>0</td> <td>0</td> </tr> <tr> <td>1</td> <td>1</td> <td>1</td> </tr> </tbody> </table>	A	B	Y	0	0	0	0	1	0	1	0	0	1	1	1
A	B	Y																	
0	0	0																	
0	1	0																	
1	0	0																	
1	1	1																	
NAND	NICHT UND			<table border="1"> <thead> <tr> <th>A</th> <th>B</th> <th>Y</th> </tr> </thead> <tbody> <tr> <td>0</td> <td>0</td> <td>1</td> </tr> <tr> <td>0</td> <td>1</td> <td>1</td> </tr> <tr> <td>1</td> <td>0</td> <td>1</td> </tr> <tr> <td>1</td> <td>1</td> <td>0</td> </tr> </tbody> </table>	A	B	Y	0	0	1	0	1	1	1	0	1	1	1	0
A	B	Y																	
0	0	1																	
0	1	1																	
1	0	1																	
1	1	0																	
OR	ODER			<table border="1"> <thead> <tr> <th>A</th> <th>B</th> <th>Y</th> </tr> </thead> <tbody> <tr> <td>0</td> <td>0</td> <td>0</td> </tr> <tr> <td>0</td> <td>1</td> <td>1</td> </tr> <tr> <td>1</td> <td>0</td> <td>1</td> </tr> <tr> <td>1</td> <td>1</td> <td>1</td> </tr> </tbody> </table>	A	B	Y	0	0	0	0	1	1	1	0	1	1	1	1
A	B	Y																	
0	0	0																	
0	1	1																	
1	0	1																	
1	1	1																	
NOR	NICHT ODER			<table border="1"> <thead> <tr> <th>A</th> <th>B</th> <th>Y</th> </tr> </thead> <tbody> <tr> <td>0</td> <td>0</td> <td>1</td> </tr> <tr> <td>0</td> <td>1</td> <td>0</td> </tr> <tr> <td>1</td> <td>0</td> <td>0</td> </tr> <tr> <td>1</td> <td>1</td> <td>0</td> </tr> </tbody> </table>	A	B	Y	0	0	1	0	1	0	1	0	0	1	1	0
A	B	Y																	
0	0	1																	
0	1	0																	
1	0	0																	
1	1	0																	
XOR	EXKLUSIV ODER Antivalenz			<table border="1"> <thead> <tr> <th>A</th> <th>B</th> <th>Y</th> </tr> </thead> <tbody> <tr> <td>0</td> <td>0</td> <td>0</td> </tr> <tr> <td>0</td> <td>1</td> <td>1</td> </tr> <tr> <td>1</td> <td>0</td> <td>1</td> </tr> <tr> <td>1</td> <td>1</td> <td>0</td> </tr> </tbody> </table>	A	B	Y	0	0	0	0	1	1	1	0	1	1	1	0
A	B	Y																	
0	0	0																	
0	1	1																	
1	0	1																	
1	1	0																	
XNOR	EXKLUSIV NICHT ODER Äquivalenz			<table border="1"> <thead> <tr> <th>A</th> <th>B</th> <th>Y</th> </tr> </thead> <tbody> <tr> <td>0</td> <td>0</td> <td>1</td> </tr> <tr> <td>0</td> <td>1</td> <td>0</td> </tr> <tr> <td>1</td> <td>0</td> <td>0</td> </tr> <tr> <td>1</td> <td>1</td> <td>1</td> </tr> </tbody> </table>	A	B	Y	0	0	1	0	1	0	1	0	0	1	1	1
A	B	Y																	
0	0	1																	
0	1	0																	
1	0	0																	
1	1	1																	